

TUNING PEGS

HEAD

FRETS

NECK

BODY

SOUND HOLE

STRINGS

PICK GUARD

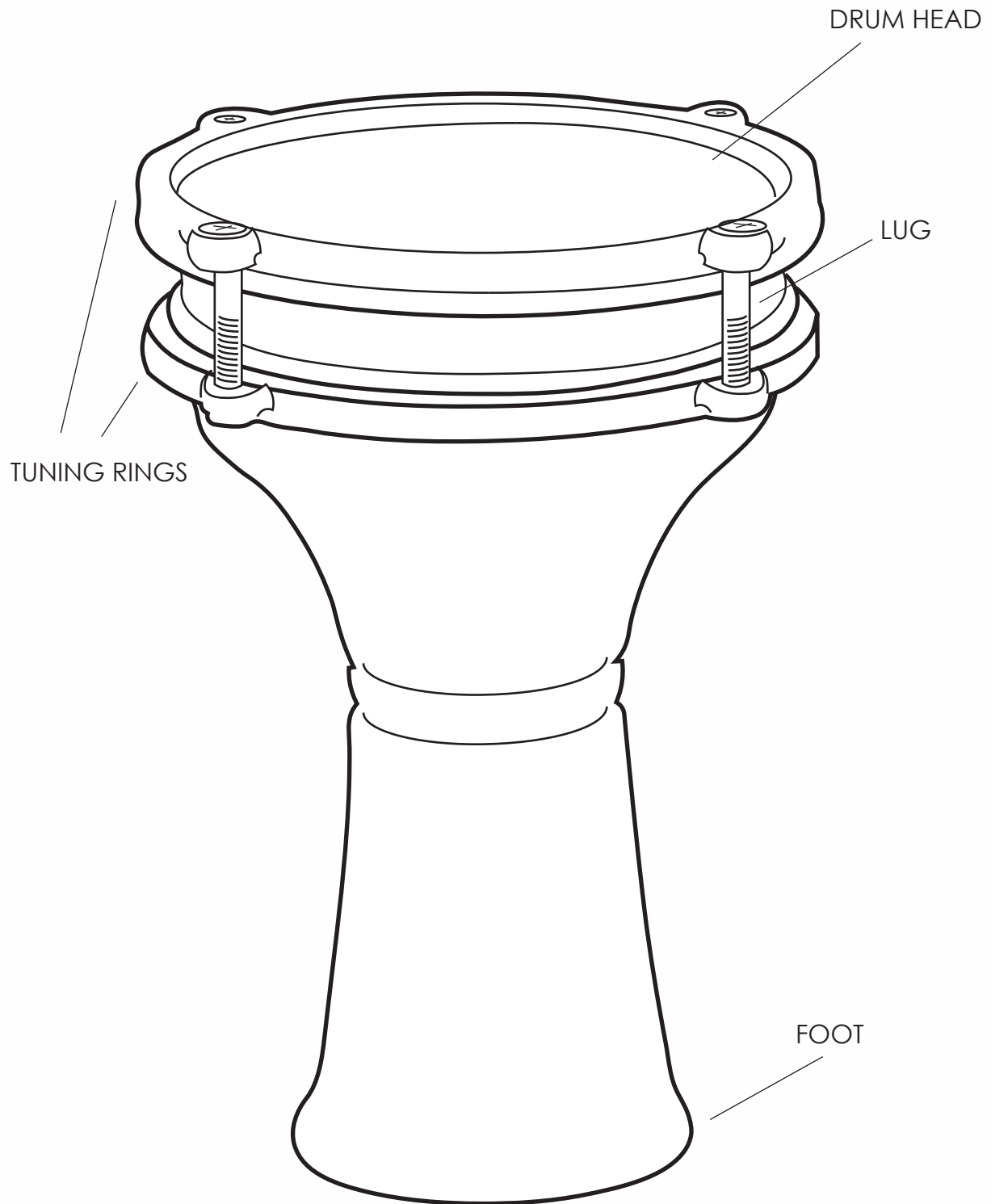
BRIDGE

## The Guitar

The guitar is an instrument with six strings and a big hollow, wooden body. It makes a beautiful sound when you strum and pluck the strings with your hands. You can find the guitar in many different types of music, from classical and jazz compositions, to rock and pop genres. While you color in the guitar, learn about the parts of this important instrument!

# The Goblet Drum

The goblet drum is a small, handheld drum. It originates from Ancient Egypt and Mesopotamia. To play the drum, the musician holds it under their arm, or rests it on their leg. They make sounds by hitting and tapping the drum head with their hands and fingers.



# The Violin

The violin is a string instrument with a hollow wooden body. It makes sound when you pull the bow across the four strings. Violins are common members of orchestras, and other musical ensembles. Color in the violin and learn about the different parts of this important musical instrument!

